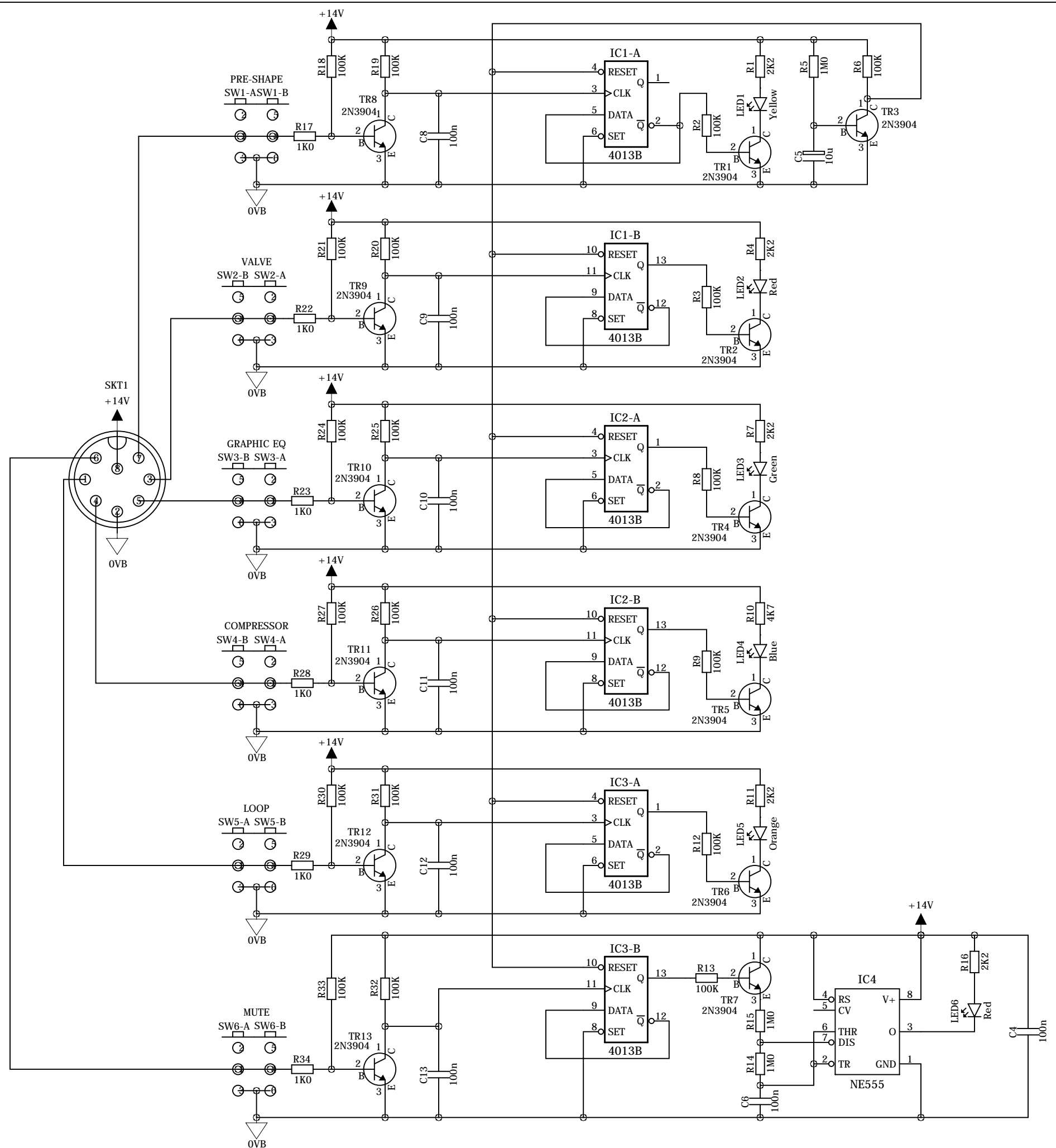
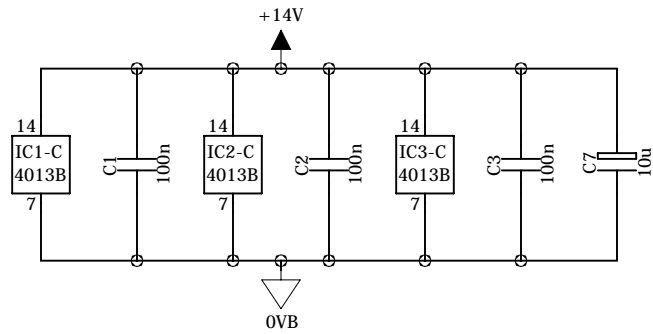


ISSUE CHANGE NOTE DATE	ISSUE CHANGE NOTE DATE	ISSUE CHANGE NOTE DATE
ISSUE CHANGE NOTE DATE	ISSUE CHANGE NOTE DATE	ISSUE CHANGE NOTE DATE



TITLE
PROJECT
DRAWING No
ISSUE
DATE
DRAWN BY

6 Way Footswitch Schematic
2005 Bass Amp Range
PTE-CD006
1
5 July 2005
Paul Stevens

TRACE ELLIOT
Product Design & Development
Essex
Great Britain
Tel: +44 (0) 777 151 3303
pstevens@trace-elliott.co.uk